



**UniTube
Conveyor**

*Field Loader
3,500 - 6,000 BPH**

FROM THE LEADER IN GENTLE HANDLING THE UNITUBE HANDLES ALL YOUR DELICATE PRODUCTS. GREAT FOR SEED, EDIBLE BEANS, CROPS AND COMMODITIES. ALSO IDEAL FOR ABRASIVE TYPE PRODUCTS; SALT, SAND, CRUSHED GLASS AND FERTILIZER.



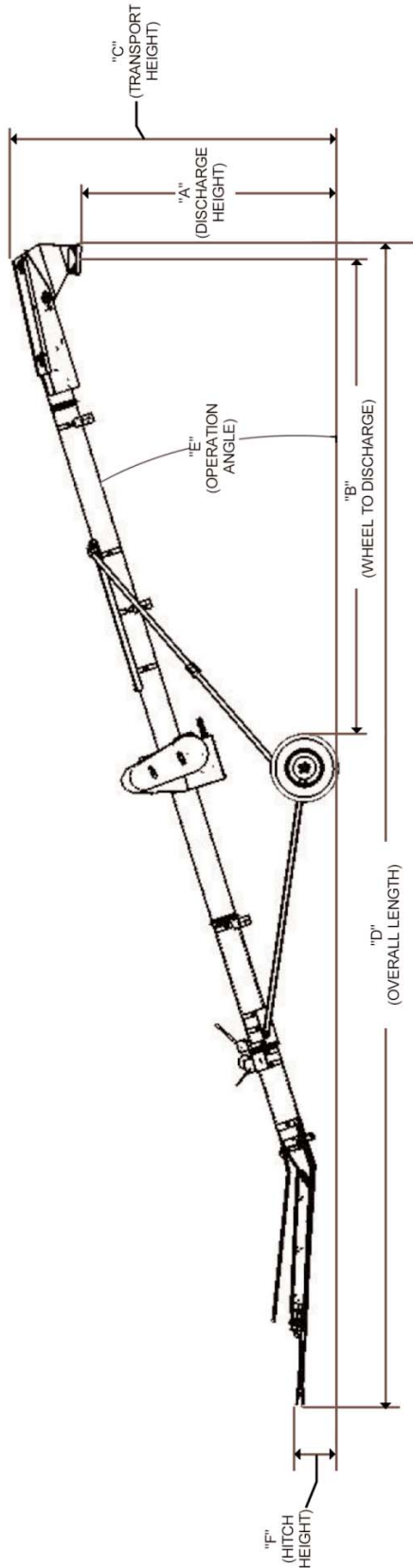
SPECIFICATIONS

Model	1535-1545 Field Loader
Capacity	Up to 6,000 BPH *3,500 BPH with 10 HP Motor
Tubing	10" diameter 14 gauge tubes
Belt	15" 2 ply chevron
Belt Speed	300-550 FPM
Drive	S-Drive: Electric, Hydraulic or PTO
Hopper	Collapsible canvas hopper
Construction	Carbon Steel or Stainless Steel available for all models

*Specifications subject to change

**THE TRADITION OF
EXCELLENCE CONTINUES!**

Universal Field Loader Conveyor



Position	Model	"A" Discharge Height	"B" Wheel to Discharge ¹	"C" Transport Height	"D" Overall Length	"E" Operation Angle	Hopper Height	"F" Hitch Height
Transport	1535 1545	9' 7" 10' 1"	18' 1-1/2" 23' 3"	12' 1" 12' 7"	38' 7" 46' 10"	--	--	1' 6"
Lower Operation	1535 1545	10' 8" 14' 4"	17' 7-1/2" 22' 3-1/8"	13' 1" 16' 10"	36' 7" 46' 10"	20.6° 21°	13 1/2"	*Remove hitch & jack for operation
Upper Operation	1535 1545	15' 6" 21' 6"	16' 6-1/4" 21'	18' 1" 24' 1"	36' 7" 46' 10"	28.0° 30°	8 1/2" (Collapsed)	

*Specifications/Dimensions are subject to change

¹Width dimension is the distance from outside wheel to outside wheel

NOTE: Unit application, location and specifications determine the type, quantity and/or placement of electrical, electrical safety or other safety controls required. Whether these controls are supplied by Universal Industries or another supplier, all OSHA safety and health standards, the National Electrical Code and local codes must be met and followed. Because we constantly strive to provide the finest material handling equipment, establishing industry standards, specifications must remain subject to change without notice.



5800 Nordic Drive • PO Box 308 • Cedar Falls, IA 50613-0308
 1-800-311-9626 • 319-277-7501 • FAX 319-277-2318
www.tubeconveyor.com • sales@universalindustries.com

Printed in U.S.A. © Copyright 2007