

TE10

Open Mouth Electronic Scale

TaylorProducts's TE10 is a table mounted electronic small packer; designed for weighments of 2 oz to 10 lb. The product feed system is fully adjustable, and the moveable feeder platform minimizes product fall and impact. The TE10 was designed with a timed discharge to eliminate spillage, as well as controls for single operator convenience.

Variable Speed Electronic Scale for Small Accurate Weights

- 2 oz to 10 lb capacity
- Granulars
- Powders
- Up to 1,080 weighments per hour

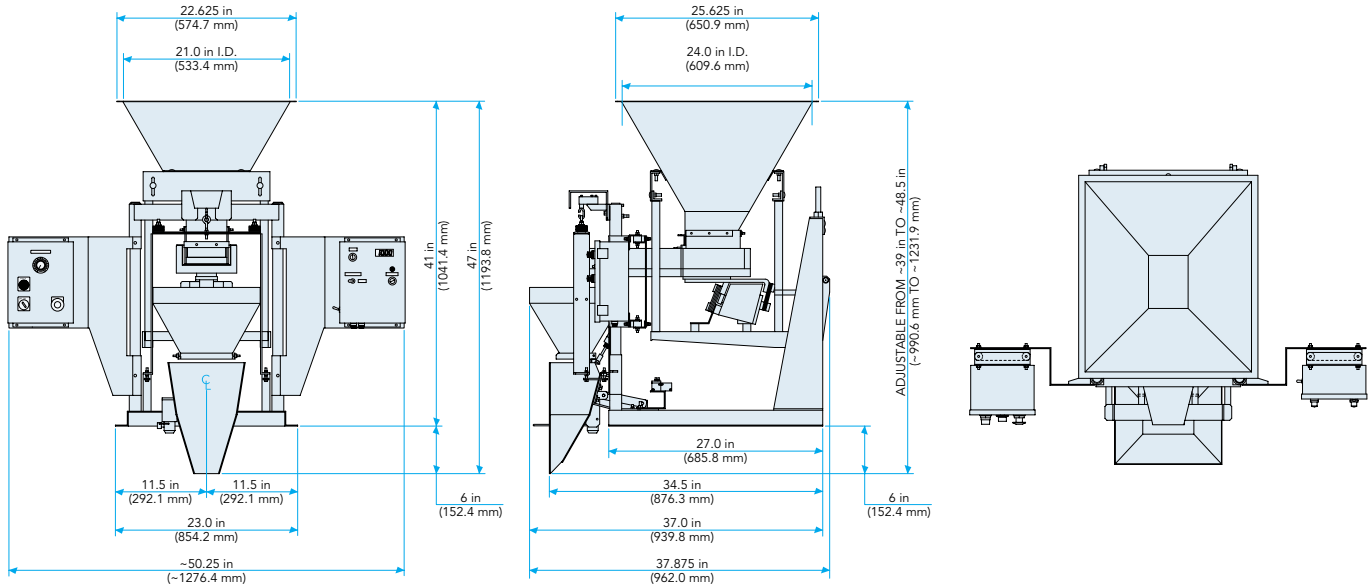


Specifications

TE10



Diagram dimensions are for reference only



Dimensions	50.25 in x 47.00 in x 37.875 in (1,276.4 mm x 1,193.8 mm x 962.0 mm)
Speed	Up to 1,080 weighments per hour
Accuracy	Up to 0.4%
Weight Range	2 oz to 10 lb (0.057 kg to 4.54 kg)
Scale	Analog, Digital
Construction	Carbon Steel Blasted and Painted
Electrical Requirements	120 Volt, 5 Amp
Air Requirements	90 PSI (6 BAR), 1 CFM
Feeder	Electromagnetic Vibratory Feeder, with adjustable height pan
Hopper	2-cubic-foot (0.056-cubic-meter) hopper
Flow	Adjustable flow gate
Popular Options	Stainless Steel Construction, Electronic Controls, Dual Set Points, Dust Shroud, Two-Piece tip with replaceable tips, Air operated cut-off gates, V-Type Feeder tray, support frame



©2003 Magnum Systems, Inc. All rights reserved. Catalog number: MS.1011.1203